

JVS-H930E

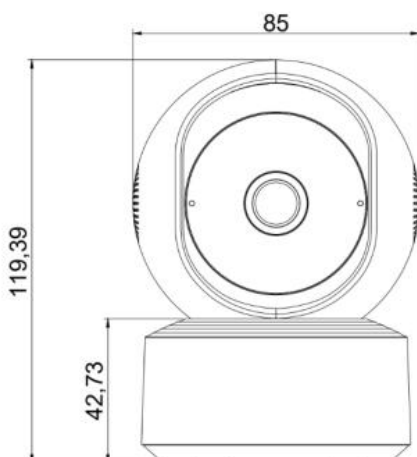
3MP Wi-Fi Pan/Tilt IP Camera



Key Features

- Resolution 2048x1536.
- With IR LEDs. Monitoring day and night.
- Supports two-way talk
- Wi-Fi (Built-in Antenna)
- PAN and TILT
- Support 128GB SD Card

Dimension



Specifications

Model	JVS-H930E
Video	
Image Sensor	1/3" CMOS Sensor
Max Resolution	2048x1536
Effective Pixels	3.0MP
Compression Standard	H.264/ H.265
Framerate	20fps
Bitrate	128Kbps~1024bps
Illumination	0Lux (IR ON)
Lens	
Lens	4mm
Viewing Angle	H:74.1°, V: 40.5°, D: 86.9°
IR Light	4x IR LEDs
IR Distance	Up to 12m.
Function	
Privacy Masking	Supports 4 Zone masking
Exposure Mode	Auto
Automatic Gain Control	Auto
White Balance	Auto
Motion Detection	Support
Day-Night Vision	IR-CUT, Supports Color/B&W Switch
Remote Control	System Management, Audio/Video Management, Image Management, Storage Management, Alarm Management, Network Management.
Detection Alarm	E-mail Alarm, Client-end Alarm, Smartphone Message Alarm
Two-way Talk	Support
Pan/Tilt	Pan 350°, Tilt 117°
ONVIF	Support
Interface	
Audio Input	1 Channel Internal MIC
Audio Output	1 Channel Internal Speaker
Ethernet Port	Yes
SD Card	Support Max. 128GB
Reset switch	Support
Network	
Ethernet	10M/100M Ethernet, RJ45 Port
Wi-Fi	Wi-Fi (IEEE802.11b/g/n), 2.4Ghz
Stream	Dual stream
Protocols	TCP/IP, ICMP, UDP, SMTP, DHCP, DNS, PPPoE
Network Transmission	CloudSEE P2P Transmission Protocol
General	
Power Supply	DC5V/1.5A
Consumption	5W
Working Temperature	-10°C~55°C
Humidity	0%~90%Rh
Material	ABS+PC
Dimension	85x85x119mm
Installation	Wall, Ceiling, Desktop